

REF. 0340 - 0340N



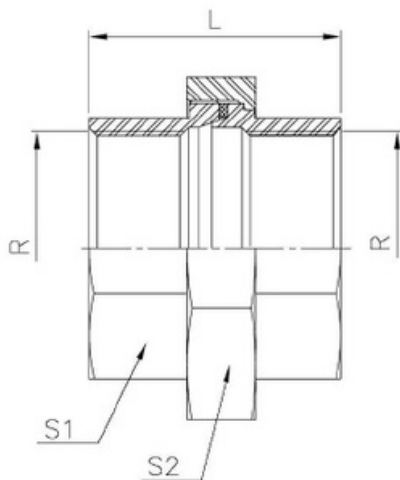
Junção com sede cónica AISI 316 fêmea/fêmea - Rosca BSP

Union 3 pieces F-F BSP thread
Also available with NPT thread (Ref0340N)

F034002ESGE	8	1/4"
F034003ESGE	10	3/8"
F034004ESGE	15	1/2"
F034005ESGE	20	3/4"
F034006ESGE	25	1"
F034007ESGE	32	1 1/4"
F034008ESGE	40	1 1/2"
F034009ESGE	50	2"
F034010ESGE	65	2 1/2"
F034011ESGE	80	3"

F0340N02ESGE	8	1/4"
F0340N03ESGE	10	3/8"
F0340N04ESGE	15	1/2"
F0340N05ESGE	20	3/4"
F0340N06ESGE	25	1"
F0340N07ESGE	32	1 1/4"
F0340N08ESGE	40	1 1/2"
F0340N09ESGE	50	2"
F0340N10ESGE	65	2 1/2"
F0340N11ESGE	80	3"

F34002CHMO	8	1/4"
F34003CHMO	10	3/8"
F34004CHMO	15	1/2"
F34005CHMO	20	3/4"
F34006CHMO	25	1"
F34007CHMO	32	1 1/4"
F34008CHMO	40	1 1/2"
F34009CHMO	50	2"
F34010CHMO	65	2 1/2"
F34011CHMO	80	3"



			DIMENSÕES		
REF.	REF.	MEDIDA	L	S1	S2
0340 02	0340N 02	1/4"	33,5	17	29
0340 03	0340N 03	3/8"	36,5	20	34
0340 04	0340N 04	1/2"	39,5	25	39
0340 05	0340N 05	3/4"	42,5	30	47
0340 06	0340N 06	1"	50	38	58
0340 07	0340N 07	1 1/4"	54	47	67
0340 08	0340N 08	1 1/2"	58	53	76
0340 09	0340N 09	2"	65	66	90
0340 10	0340N 10	2 1/2"	75	82	107
0340 11	0340N 11	3"	83	96	123