

REF. 0341 - 0341N



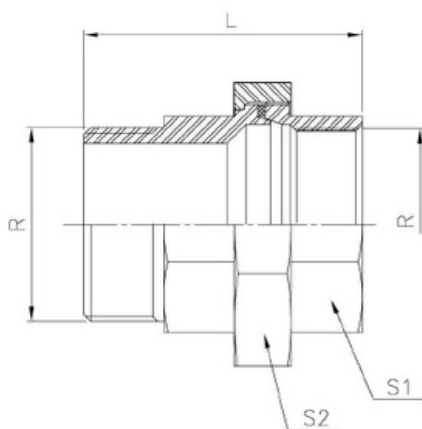
Junção com sede cônica AISI 316 macho/fêmea - Rosca BSP

Union 3 pieces M-F
Also available with NPT thread (Ref. 0341N)

| | | |
|-------------|----|--------|
| F034102ESGE | 8 | 1/4" |
| F034103ESGE | 10 | 3/8" |
| F034104ESGE | 15 | 1/2" |
| F034105ESGE | 20 | 3/4" |
| F034106ESGE | 25 | 1" |
| F034107ESGE | 32 | 1 1/4" |
| F034108ESGE | 40 | 1 1/2" |
| F034109ESGE | 50 | 2" |
| F034110ESGE | 65 | 2 1/2" |
| F034111ESGE | 80 | 3" |

| | | |
|--------------|----|--------|
| F0341N02ESGE | 8 | 1/4" |
| F0341N03ESGE | 10 | 3/8" |
| F0341N04ESGE | 15 | 1/2" |
| F0341N05ESGE | 20 | 3/4" |
| F0341N06ESGE | 25 | 1" |
| F0341N07ESGE | 32 | 1 1/4" |
| F0341N08ESGE | 40 | 1 1/2" |
| F0341N09ESGE | 50 | 2" |
| F0341N10ESGE | 65 | 2 1/2" |
| F0341N11ESGE | 80 | 3" |

| | | |
|------------|----|--------|
| F34102CHMO | 8 | 1/4" |
| F34103CHMO | 10 | 3/8" |
| F34104CHMO | 15 | 1/2" |
| F34105CHMO | 20 | 3/4" |
| F34106CHMO | 25 | 1" |
| F34107CHMO | 32 | 1 1/4" |
| F34108CHMO | 40 | 1 1/2" |
| F34109CHMO | 50 | 2" |
| F34110CHMO | 65 | 2 1/2" |
| F34111CHMO | 80 | 3" |



| | | | DIMENSÕES | | |
|---------|----------|--------|-----------|----|-----|
| REF. | REF. | MEDIDA | L | S1 | S2 |
| 0341 02 | 0341N 02 | 1/4" | 44 | 17 | 29 |
| 0341 03 | 0341N 03 | 3/8" | 47,5 | 20 | 34 |
| 0341 04 | 0341N 04 | 1/2" | 56 | 25 | 39 |
| 0341 05 | 0341N 05 | 3/4" | 58 | 30 | 47 |
| 0341 06 | 0341N 06 | 1" | 68 | 38 | 58 |
| 0341 07 | 0341N 07 | 1 1/4" | 74,5 | 47 | 67 |
| 0341 08 | 0341N 08 | 1 1/2" | 78,5 | 53 | 76 |
| 0341 09 | 0341N 09 | 2" | 90 | 66 | 90 |
| 0341 10 | 0341N 10 | 2 1/2" | 102 | 82 | 107 |
| 0341 11 | 0341N 11 | 3" | 113 | 96 | 123 |