

REF. 0410



Encaixe Tipo B: Camlock Fêmea - Rosca Macho ISO 7-1 (EN 10226-1)

Material AISI 316.

Pressão máx. pressão de trabalho: 10 bar (150 PSI).

Junta NBR incluída.

Fitting Type B: Female Camlock - Male Thread ISO 7-1 (EN 10226-1)

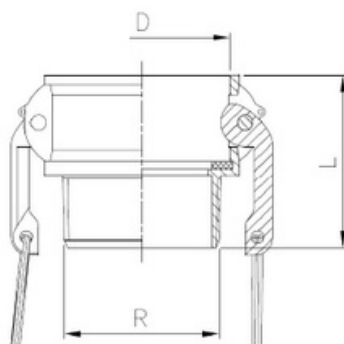
Material AISI 316.

Max. working pressure: 10 bar (150 psi).

Included NBR gasket.

F041004ESGE	15	1/2"
F041005ESGE	20	3/4"
F041006ESGE	25	1"
F041007ESGE	32	1 1/4"
F041008ESGE	40	1 1/2"
F041009ESGE	50	2"
F041010ESGE	65	2 1/2"
F041011ESGE	80	3"
F041012ESGE	100	4"

F001B15CHMO	15	1/2"
F001B19CHMO	20	3/4"
F001B25CHMO	25	1"
F001B32CHMO	32	1 1/4"
F001B40CHMO	40	1 1/2"
F001B50CHMO	50	2"
F001B65CHMO	65	2 1/2"
F001B80CHMO	80	3"
F001B100CHMO	100	4"



DIMENSÕES

REF.	MEDIDA	D	L
0410 04	1/2"	24,3	44
0410 05	3/4"	32,7	45
0410 06	1"	37,7	54
0410 07	1 1/4"	46	63
0410 08	1 1/2"	54	67
0410 09	2"	64	72
0410 10	2 1/2"	76,8	84
0410 11	3"	82,2	87
0410 12	4"	120,5	89