

REF. 5315



Caixa de Interruptores de Limite Electromecânica

Instalada na válvula manual ref. 2015, 2025, 2026, 2027, 2040, 2041, 2540E, 2541E, 2544, 2545 (Ver art. 5987 02)

Limit switch box Electromechanical

Installed on a handle ball valve ref. 2015, 2025, 2026, 2027, 2040, 2041, 2540E, 2541E, 2544, 2545 (See art. 5987 02)

Caixa de Interruptores de Limite com sensores Inductivos

Instalada na válvula manual ref. 2015, 2025, 2026, 2027, 2040, 2041, 2540E, 2541E, 2544, 2545 (Ver art. 5987 04)

Limit switch box with Inductive sensors

Installed on a handle ball valve ref. 2015, 2025, 2026, 2027, 2040, 2041, 2540E, 2541E, 2544, 2545 (See art. 5987 04)

Caixa de Interruptores de Limite com sensores Inductivos (Atex)

Instalada na válvula manual ref. 2015, 2025, 2026, 2027, 2040, 2041, 2540E, 2541E, 2544, 2545 (Ver art. 5987 08)

Limit switch box with Inductive sensors (Atex)

Installed on as handle ball valve ref. 2015, 2025, 2026, 2027, 2040, 2041, 2540E, 2541E, 2544, 2545 (See art. 5987 08)

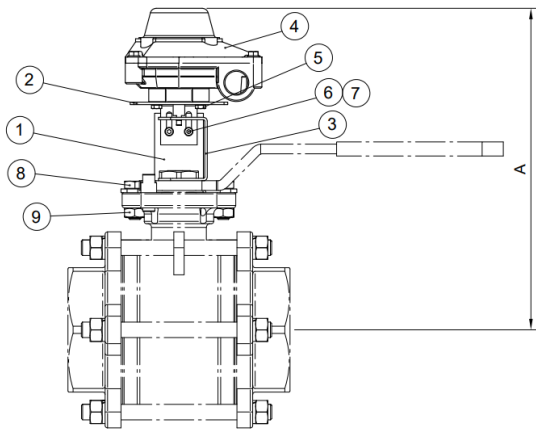
F53150202ESGE	1/4" - 1/2"
F53150208ESGE	

F53150502ESGE	3/4" - 1"
F53150504ESGE	
F53150508ESGE	

F53150702ESGE	1 1/4" - 2"
F53150704ESGE	
F53150708ESGE	

F53151002ESGE	2 1/2" - 4"
F53151004ESGE	
F53151008ESGE	

REF.	TAMANHO VÁLVULA	2015-2025-2026-2027-2040-2041	2540E-2541E-2544-2545	Caixa Fim de Curso
5315 02 XX	DN8 - 1/4"	196	*****	XX=02 -> Art. 5987 02 XX=04 -> Art. 5987 04 XX=08 -> Art. 5987 08
	DN10 - 3/8"	196	*****	
	DN15 - 1/2"	197	*****	
5315 05 XX	DN20 - 3/4"	201	*****	
	DN25 - 1"	204	218	
5315 07 XX	DN32 - 1 1/4"	216	233	
	DN40 - 1 1/2"	222	240	
	DN50 - 2"	229	247	
5315 10 XX	DN65 - 2 1/2"	259	268	
	DN80 - 3"	270	279	
	DN100 - 4"	283	303	



Nº	Descrição	Material
1	Suporte	1.4301 (AISI 304)
2	Suporte Ajustável	1.4301 (AISI 304)
3	Acoplamento	1.4301 (AISI 304)
4	Caixa Fim de Curso	1.4301 (AISI 304)
5	Parafuso (x4)	1.4301 (AISI 304)
6	Parafuso (x2)	1.4301 (AISI 304)
7	Porca (x2)	1.4301 (AISI 304)
8	Parafuso (x2)	1.4301 (AISI 304)
9	Porca (x2)	1.4301 (AISI 304)