



**Caixa de Interruptores de Limite Electromecânica**  
 Instalada na válvula manual ref. 2015, 2025, 2026, 2027, 2040, 2041, 2540E, 2541E, 2544, 2545 (Ver art. 5987 02)

**Limit switch box Electromechanical**  
 Installed on a handle ball valve ref. 2015, 2025, 2026, 2027, 2040, 2041, 2540E, 2541E, 2544, 2545 (See art. 5987 02)

F53280202ESGE	1/4" - 1/2"
F53280502ESGE	3/4" - 1"
F53280702ESGE	1 1/4" - 2"
F53281002ESGE	2 1/2" - 4"

**Caixa de Interruptores de Limite com sensores Inductivos**  
 Instalada na válvula manual ref. 2015, 2025, 2026, 2027, 2040, 2041, 2540E, 2541E, 2544, 2545 (Ver art. 5987 04)

**Limit switch box with Inductive sensors**  
 Installed on a handle ball valve ref. 2015, 2025, 2026, 2027, 2040, 2041, 2540E, 2541E, 2544, 2545 (See art. 5987 04)

F53280204ESGE	1/4" - 1/2"
F53280504ESGE	3/4" - 1"
F53280704ESGE	1 1/4" - 2"
F53281004ESGE	2 1/2" - 4"

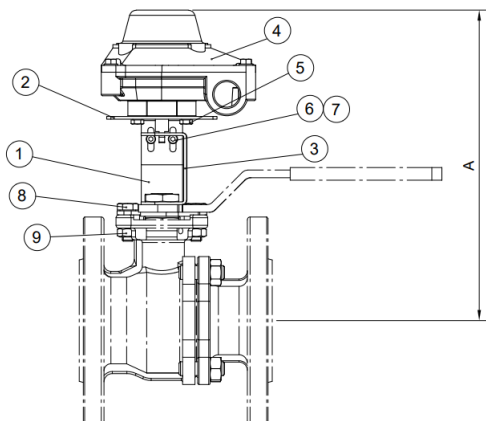
**Caixa de Interruptores de Limite com sensores Inductivos (Atex)**  
 Instalada na válvula manual ref. 2015, 2025, 2026, 2027, 2040, 2041, 2540E, 2541E, 2544, 2545 (Ver art. 5987 08)

**Limit switch box with Inductive sensors (Atex)**  
 Installed on as handle ball valve ref. 2015, 2025, 2026, 2027, 2040, 2041, 2540E, 2541E, 2544, 2545 (See art. 5987 08)

F53280208ESGE	1/4" - 1/2"
F53280508ESGE	3/4" - 1"
F53280708ESGE	1 1/4" - 2"
F53281008ESGE	2 1/2" - 4"

F53280210ESGE	1/4" - 1/2"
F53280510ESGE	3/4" - 1"
F53280710ESGE	1 1/4" - 2"
F53281010ESGE	2 1/2" - 4"

REF.	TAMANHO VÁLVULA	A (mm) 2526A-2528-2528A-2529	Caixa Fim de Curso
5328 04 XX	DN15 - 1/2"	205	XX=02 -> Art. 5987 02 XX=04 -> Art. 5987 04 XX=08 -> Art. 5987 08 XX=10 -> Art. 5987 10
	DN20 - 3/4"	210	
5328 06 XX	DN25 - 1"	216	
5328 07 XX	DN32 - 1 1/4"	233	
	DN40 - 1 1/2"	238	
	DN50 - 2"	245	
5328 10 XX	DN65 - 2 1/2"	276	
	DN80 - 3"	287	
	DN100 - 4"	302	



Nº	Descrição	Material
1	Suporte	1.4301 (AISI 304)
2	Suporte Ajustável	1.4301 (AISI 304)
3	Acoplamento	1.4301 (AISI 304)
4	Caixa Fim de Curso	1.4301 (AISI 304)
5	Parafuso (x4)	1.4301 (AISI 304)
6	Parafuso (x2)	1.4301 (AISI 304)
7	Porca (x2)	1.4301 (AISI 304)
8	Parafuso (x2)	1.4301 (AISI 304)
9	Porca (x2)	1.4301 (AISI 304)